

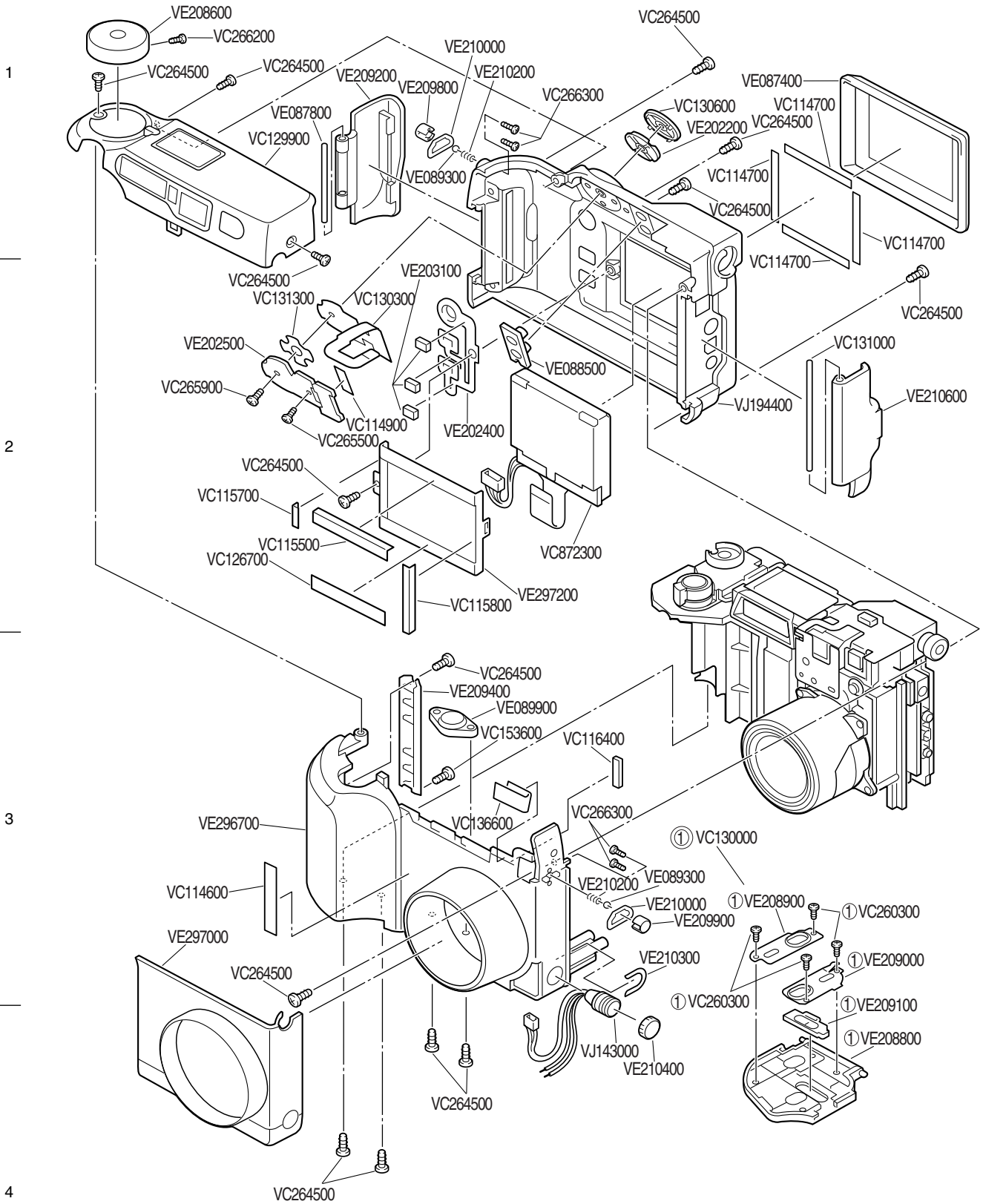
A

B

C

D

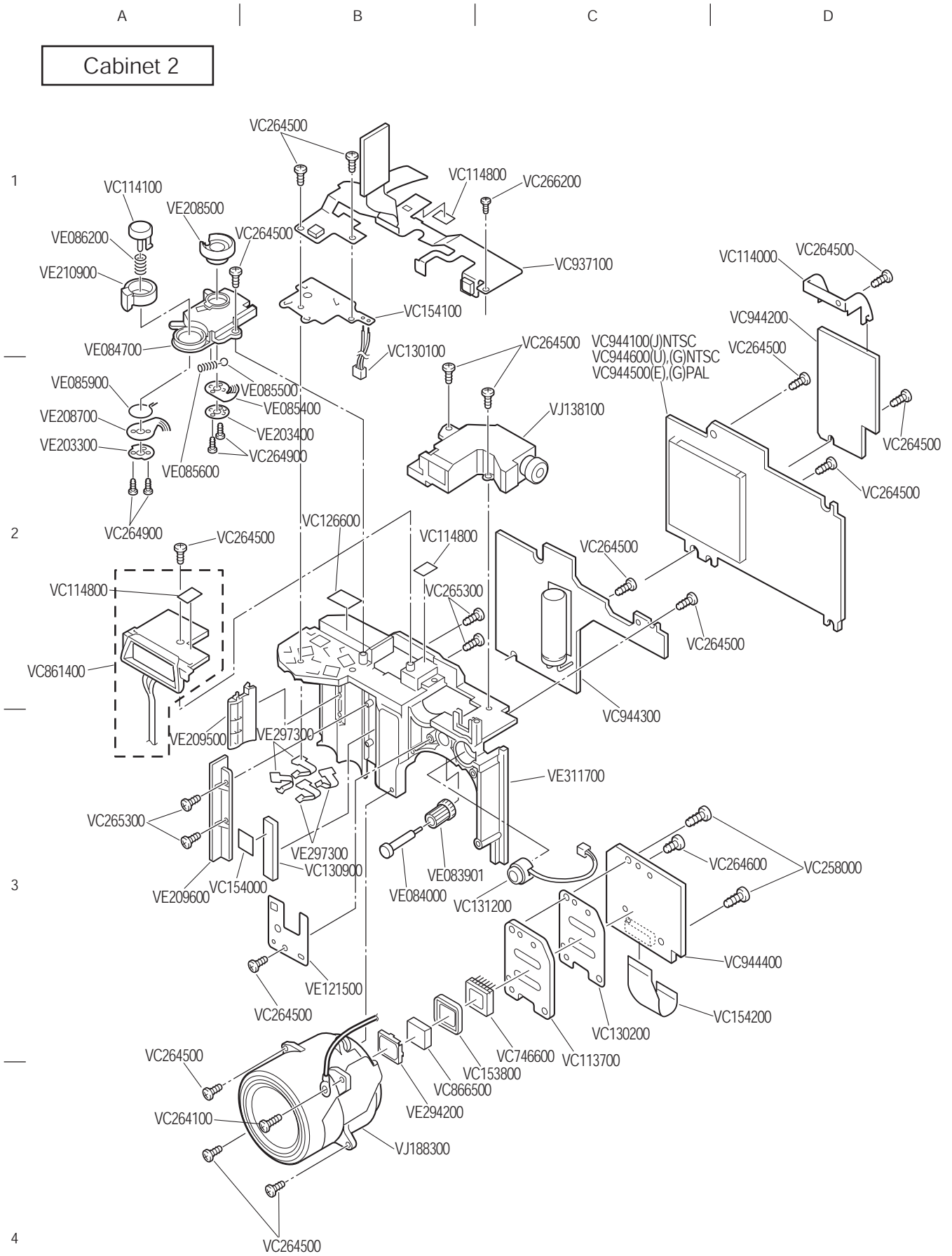
Cabinet 1



EXPLODED PARTS DIAGRAM

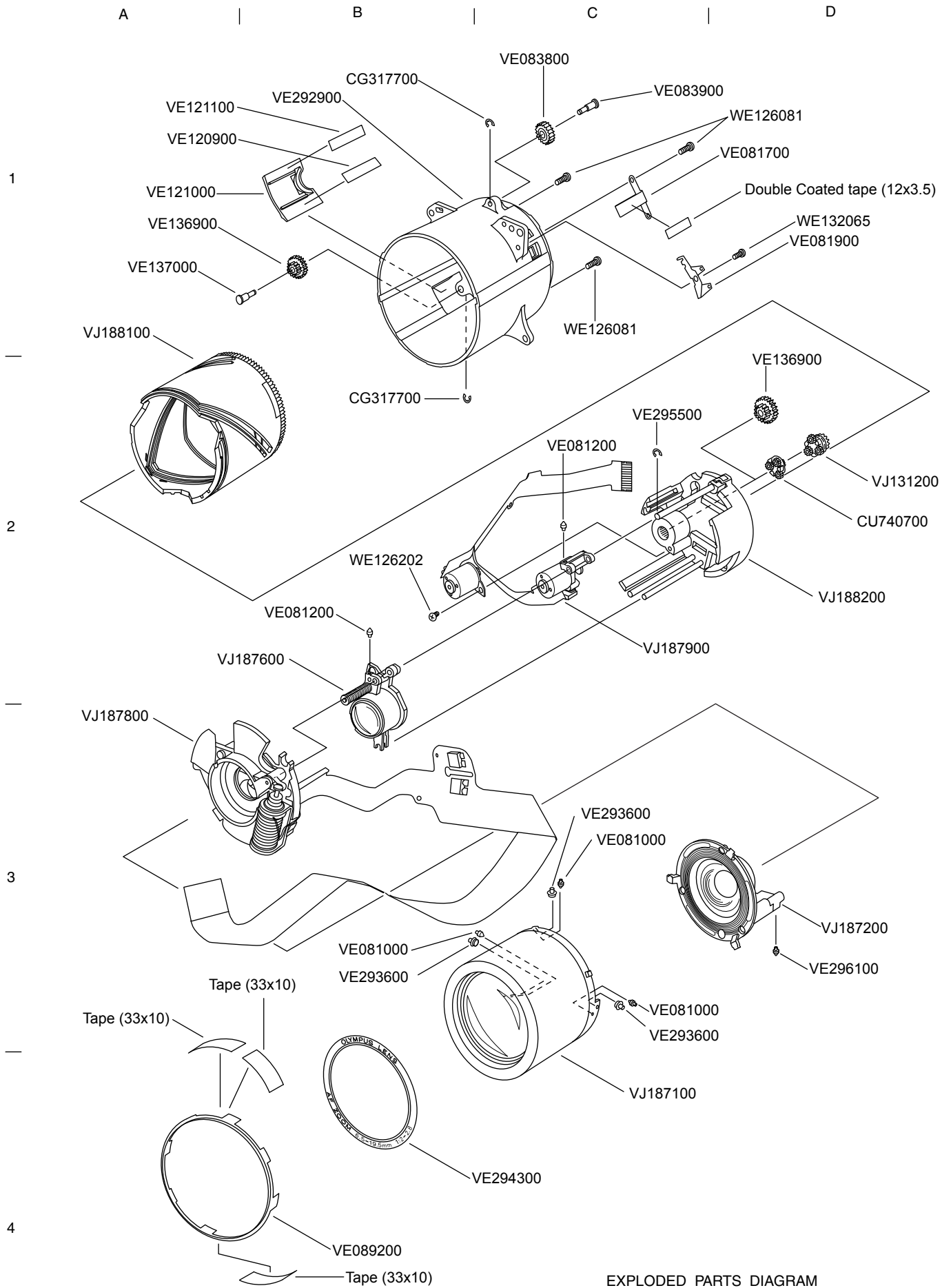
MODEL	FIG.
C-3040 ZOOM	1/3
OLYMPUS OPTICAL CO.,LTD.TOKYO,JAPAN	

Cabinet 2



EXPLODED PARTS DIAGRAM

MODEL	FIG.
C-3040 ZOOM	2/3
OLYMPUS OPTICAL CO.,LTD.TOKYO,JAPAN	



EXPLODED PARTS DIAGRAM

MODEL	FIG.
C-3040 ZOOM	3/3
OLYMPUS OPTICAL CO., LTD. TOKYO, JAPAN	

Ver.1/Rev.8
2003.06

PARTS LIST

C-3040ZOOM

REF NO	PARTS NO	DESCRIPTION	REMARKS	NOTE
	CG317000	3G STOPPER	3-B1,B2	
	CU740700	CARRIER A#	3-D2	
	VC113700	MOUNTING,LENS	2-C3	
	VC114000	HOLDER BRKT	2-D1	
	VC114100	ASSY,BUTTON RELEASE	2-A1	
	VC114600	ADHESIVE TAPE FRONT	1-A3	
	VC114700	ADHESIVE TAPE D	1-D1	
	VC114800	ADHESIVE TAPE F	2-A2	
	VC114900	ADHESIVE TAPE G	1-B2	
	VC115500	SPACER MONITOR LIGHT	1-B2	
	VC115700	SPACER MON LIGHT,B	1-A2	
	VC115800	SPACER MON LIGHT,C	1-B2	
	VC116400	PAD(L=15)	1-C3	
	VC126600	ADHESIVE TAPE H,B	2-B2	
	VC126700	SPACER SHIELD M,B	1-A2	
	VC129900	ASSY,CABNET TOP	1-B1	
	VC130000	COMPL,COVER BATTERY	1-C3	
	VC130100	ASSY,WIRE BATTERY&ST1	2-B2	
	VC130200	SPACER INSULATOR	2-C3	
	VC130300	FLEXIBLE PWB2,JOINT	1-B2	
	VC130600	COVER BUTTON	1-C1	
	VC130900	SPACER CHASSIS	2-B3	
	VC131000	SHAFT JACK	1-D2	
	VC131200	MICROPHONE	2-C3	
	VC131300	ADHESIVE TAPE ZYUZI	1-B2	
	VC136600	SHILED TAPE	1-B3	
	VC153800	SPACER	2-B4	NEW
	VC154000	SPACER SHEET	2-B3	NEW
	VC154100	DENCHIBAN FLEX	2-B1	NEW
	VC154200	FLEXIBLE PWB SX354CA1-CA2	2-D3	NEW
	VC258000	SCR S-TPG PAN 2X6	2-D3	
	VC260300	SCR S-TPG PAN PCS 1.4X2	1-C4	
	VC264100	SCR S-TPG PAN PCS 1.7X6	2-B4	
	VC264500	SCR S-TPG PAN PCS 1.7X4.0	1-B3	
	VC264500	SCR S-TPG PAN PCS 1.7X4.0	2-B1	
	VC264600	SCR PAN 2X2.5	2-D3	
	VC264900	SCR S-TPG PAN PCS 1.4X2.5	2-A2	
	VC265300	SCR S-TPG PAN PCS 1.7X4	2-A3	
	VC265500	SPECIAL SCREW-1.4X2	1-B2	
	VC265900	SPECIAL SCREW-1.6X3.5	1-A2	
	VC266200	SCR S-TPG PAN PCS 1.4X3.5	1-A1	
	VC266200	SCR S-TPG PAN PCS 1.4X3.5	2-C1	
	VC266300	SPECIAL SCREW-1.4X5	1-C3	
	VC746600	IC ICX252AK-B	2-C3	
	VC861400	COMPL,REFLECTOR	2-A2	
	VC866500	OPTICAL FILTER	2-B4	
	VC872300	LCD	1-C2	NEW
	VC937100	ASSY,UNIT,FLEXIBLE PWB	2-C1	
	VC944100	COMPL PWB CA-2 [C-3040ZOOM(J)NTSC]	2-C2	NEW
	VC944200	COMPL PWB,SY-1	2-D1	NEW
	VC944300	COMPL PWB,ST-1	2-C3	NEW
	VC944400	COMPL PWB,CA-1	2-D3	NEW

PARTS LIST

C-3040ZOOM

REF NO	PARTS NO	DESCRIPTION	REMARKS	NOTE
	VC944500	COMPL PWB,CA-2 [C-3040ZOOM(E),(G)PAL]	2-C2	NEW
	VC944600	COMPL PWB,CA-2 [C-3040ZOOM(U),(G)NTSC]	2-C2	NEW
	VE081000	CAM PIN A	3-B3,C3	
	VE081200	CAM PIN C	3-B2,C2	
	VE081700	FPC PLATE	3-D1	
	VE081900	PR PLATE	3-D1	
	VE083800	CAM GEAR	3-C1	
	VE083900	CAM GEAR SHAFT	3-C1	
	VE083901	GEAR	2-B3	
	VE084000	SHAFT GEAR	2-B3	
	VE084700	HOLDER MODE	2-A1	
	VE085400	TERMINAL MD	2-B2	
	VE085500	BALL CLICK	2-B2	
	VE085600	SPRING M	2-B2	
	VE085900	SPRING Z	2-A2	
	VE086200	SPRING R	2-A1	
	VE087400	DEC MONITOR	1-D1	
	VE087800	SHAFT CARD	1-B1	
	VE088500	BUTTON LM	1-C2	
	VE089200	L FRAME	3-B4	
	VE089300	BALL CLICK VF	1-C3	
	VE089900	STAND	1-C3	
	VE120900	G COVER TAPE L	3-A1	
	VE121000	G COVER	3-A1	
	VE121100	G COVER TAPE R	3-A1	
	VE121500	HOLDER LED	2-B3	
	VE136900	Z GEAR	3-A1,D2	
	VE137000	Z GEAR SHAFT	3-A1	
	VE202200	BUTTON J	1-C1	
	VE202400	BUTTON OK	1-B2	
	VE202500	HOLDER BRKT JSW	1-A2	
	VE203100	SPACER BUTTON OK	1-B2	
	VE203300	GUIDE LEVER Z	2-A2	
	VE203400	GUIDE DIAL M	2-B2	
	VE208500	KNOB DIAL	2-A1	
	VE208600	COVER MD	1-A1	
	VE208700	TERMINAL Z	2-A2	
	VE208800	COVER BATTERY	1-D4	
	VE208900	TERMINAL CB,A	1-D3	
	VE209000	TERMINAL CB,B	1-D3	
	VE209100	SLIDE LOCK	1-D4	
	VE209200	COVER CARD	1-B1	
	VE209400	HOLDER BATTERY	1-B3	
	VE209500	HOLDER BATTERY A	2-A3	
	VE209600	HOLDER BATTERY B	2-A3	
	VE209800	MOUNTING STRAP,L	1-B1	
	VE209900	MOUNTING STRAP,R	1-C3	
	VE210000	MOUNTING STRAP	1-C3	
	VE210200	SPRING CLICK	1-C3	
	VE210300	HOLDER BTKT STCN	1-C3	
	VE210400	CAP STROBO	1-C4	
	VE210600	COVER JACK	1-D2	

PARTS LIST

C-3040ZOOM

REF NO	PARTS NO	DESCRIPTION	REMARKS	NOTE
	VE210900	LEVER Z	2-A1	
	VE292900	C HOLDER	3-B1	
	VE293600	1Z PIN	3-B3,C3	
	VE294200	SPACER	2-B4	NEW
	VE294300	DEC LENS	3-C4	NEW
	VE295500	S STOPPER	3-C2	
	VE296100	CAM PIN D	3-D3	
	VE296700	CABINET FRONT	1-A3	NEW
	VE297000	COVER FRONT	1-A3	NEW
	VE297200	HOLDER MONITOR	1-C2	NEW
	VE297300	TERMINAL BATTERY	2-B3	NEW
	VE311700	HOLDER CHASSIS	2-C3	NEW
	VJ131200	CARRIER B#	3-D2	
	VJ138100	LENS,VF(ASSY)	2-C2	
	VJ143000	SOCKET,SYNCHRO	1-C4	
	VJ187100	1Z FRAME#	3-C4	
	VJ187200	2Z FRAME#	3-D3	
	VJ187600	4G FRAME#-2	3-B2	
	VJ187800	S FRAME#	3-A3	
	VJ187900	K-FPC#	3-C2	
	VJ188100	CAM FRAME#	3-A1	
	VJ188200	LENS BARREL#	3-D2	
	VJ188300	LENS(ASSY)	2-B4	NEW
	VJ194400	ASSY,CABI BACK,B	1-D2	NEW
	WE126081	PUTB1.6X4SN	3-C1,D1	
	WE126202	PUTB1.4X3SB	3-B2	
	WE132065	3PUTB1.6X3SB	3-D1	
A3101	VC866600	LCD(LM-7086C)	PWB	
A3102	VC866200	UNIT,IR RECEIVER PACK	REMOCON	PWB
BZ311	VC856900	PZ BZR PKM13EPY-4002	PWB	
CN110	VC866800	PLUG,4P TO USB	CA-2	
CN141	VC868900	SOCKET,CARD 24P TO SMARTMEDIA	CA-2	
F5001	VC865800	FUSE 32V 2A	ST-1	
F5002	VC865800	FUSE 32V 2A	ST-1	
F5003	VC865900	FUSE 32V 1A	ST-1	
IC101	VC742400	IC MB86836PMT2-G-BND	CPU	CA-2
IC102	VC772600	IC KS5M0U1338CBP ASIC	CA-2	NEW
IC103	VC746900	IC HM5225325FBP-B60	SDRAM	CA-2
IC106	VC746800	IC SN74LV273ADB	CA-2	
IC107	VC746800	IC SN74LV273ADB	CA-2	
IC111	VC742300	IC IMISG589BTB	CLOCK-GENERATOR	CA-2
IC121	VC772400	IC 27600354BPROGRAM FLASH	CA-2	NEW
IC121	VC772900	IC 27601354B [C-3040ZOOM(U),(G)NTSC] PROGRAM FLASH	CA-2	NEW
IC121	VC772800	IC 27602354A [C-3040ZOOM(E),(G)PAL] PROGRAM FLASH	CA-2	NEW
IC131	VC735100	IC ADM3202ARU	RS-232C	CA-2
IC145	VC732900	IC TK11331BM	REGULATOR	CA-2
IC146	VC741900	IC TC7S32FU	CA-2	
IC152	VC736900	IC TK15405M	VIDEO AMP	CA-2
IC153	VC735000	IC TK11348BM	REGULATOR	CA-2
IC171	VC740000	IC LV4131W	LCD DRIVER	CA-2
IC174	VC740300	IC TK11330BM	REGULATOR	CA-2
IC175	VC738900	IC TC7SET08FU	CA-2	

PARTS LIST

C-3040ZOOM

REF NO	PARTS NO	DESCRIPTION	REMARKS	NOTE
IC182	VC746200	IC LMV321M7X	CA-2	
IC183	VC746200	IC LMV321M7X AMP	CA-2	
IC184	VC732900	IC TK11331BM REGULATOR	CA-2	
IC185	VC746200	IC LMV321M7X	CA-2	
IC186	VC746300	IC ADG701BRT ANALOG-SW	CA-2	
IC301	VC772700	IC UPD78063GC-A42-8EU	SY-1	NEW
IC302	VC727100	S-8423NFS BACKUP	SY-1	
IC501	VC735300	IC BA9737KV	ST-1	
IC502	VC734800	IC TC7S08FU	ST-1	
IC503	VC727900	IC MB3800PNF--G	ST-1	
IC902	VC739200	IC 74ACT04MTC	CA-1	
IC904	VC740100	IC CXD3400N	CA-1	
IC905	VC746700	IC AD9842JST	CA-1	
IC909	VC746400	IC TK11333BM	CA-1	
IC951	VC746500	IC S-8520B33MC	CA-2	
IC952	VC743500	IC NJM2125F	CA-2	
IC953	VC746100	IC LB1846M ZOOM DRIVER	CA-2	
IC954	VC746100	IC LB1846M FOCUS DRIVER	CA-2	
IC955	VC742200	IC TC7W66FK ANALOG SW	CA-2	
IC956	VC742200	IC TC7W66FK ANALOG SW	CA-2	
IC957	VC746100	IC LB1846M IRIS DRIVER	CA-2	
JK112	VC866000	JACK,PHONE D3.6 AV JACK	CA-2	
JK131	VC859500	JACK,PHONE D2.6 PC JACK	CA-2	
JK501	VC857100	SOCKET,DC DC JACK	ST-1	
Q1111	VC622200	TR DTC115EUA	CA-2	
Q1301	VC618200	TR DTC144EUA	CA-2	
Q1301	VC609300	TR UN5213	CA-2	
Q1301	VC604100	TR 2SC4396	CA-2	
Q1303	VC618300	TR DTA144EUA	CA-2	
Q1303	VC609200	TR UN5113	CA-2	
Q1303	VC602600	TR 2SA1676	CA-2	
Q1304	VC618200	TR DTC144EUA	CA-2	
Q1304	VC609300	TR UN5213	CA-2	
Q1304	VC604100	TR 2SC4396	CA-2	
Q1305	VC620000	TR UMD3N	CA-2	
Q1501	VC619000	TR UMT1N	CA-2	
Q1502	VC615800	TR UMZ1N	CA-2	
Q1502	VC609800	TR XP4601	CA-2	
Q1503	VC615800	TR UMZ1N	CA-2	
Q1503	VC609800	TR XP4601	CA-2	
Q1509	VC618200	TR DTC144EUA	CA-2	
Q1509	VC609300	TR UN5213	CA-2	
Q1509	VC604100	TR 2SC4396	CA-2	
Q1601	VC617500	TR DTC114EUA	CA-2	
Q1601	VC621700	TR UN5211	CA-2	
Q1601	VC617100	TR 2SC4398	CA-2	
Q1602	VC609400	TR 2SA1745-7	CA-2	
Q1602	VC609500	TR 2SA1745-6	CA-2	
Q1701	VC615800	TR UMZ1N	CA-2	
Q1701	VC609800	TR XP4601	CA-2	
Q1702	VC615800	TR UMZ1N	CA-2	
Q1702	VC609800	TR XP4601	CA-2	

PARTS LIST

C-3040ZOOM

REF NO	PARTS NO	DESCRIPTION	REMARKS	NOTE
Q1803	VC621800	TR UMX1N	CA-2	
Q1806	VC621800	TR UMX1N	CA-2	
Q1807	VC620000	TR UMD3N	CA-2	
Q1921	VC621500	TR DTA143ZE	CA-2	
Q1922	VC621600	TR DTC143ZE	CA-2	
Q1923	VC618600	TR 2SC4617 R	CA-2	
Q3001	VC603600	TR 2SA1677	SY-1	
Q3001	VC622300	TR DTA124EUA	SY-1	
Q3001	VC615300	TR UN5112	SY-1	
Q3002	VC602600	TR 2SA1676	SY-1	
Q3002	VC618300	TR DTA144EUA	SY-1	
Q3002	VC609200	TR UN5113	SY-1	
Q3003	VC604100	TR 2SC4396	SY-1	
Q3003	VC618200	TR DTC144EUA	SY-1	
Q3003	VC609300	TR UN5213	SY-1	
Q3004	VC619500	TR DTC144EE	SY-1	
Q3005	VC620900	TR DTA114EE	SY-1	
Q3006	VC620900	TR DTA114EE	SY-1	
Q3008	VC619500	TR DTC144EE	SY-1	
Q3031	VC607900	TR 2SD1819A-R	SW	
Q3031	VC603200	TR 2SC4081-R	SW	
Q5001	VC619300	TR CPH3109	ST-1	
Q5002	VC621400	TR 2SA1774 R	ST-1	
Q5003	VC618600	TR 2SC4617 R	ST-1	
Q5004	VC616900	TR UMC2N	ST-1	
Q5005	VC622000	TR 2SA2018	ST-1	
Q5006	VC616700	TR UMH11N	ST-1	
Q5007	VC619700	TR CPH5701	SW	
Q5008	VC619300	TR CPH3109	ST-1	
Q5009	VC622000	TR 2SA2018	ST-1	
Q5010	VC618900	TR DTA114YE	ST-1	
Q5011	VC618600	TR 2SC4617 R	ST-1	
Q5012	VC618700	TR DTC114EE	ST-1	
Q5013	VC619200	TR CPH3205	ST-1	
Q5014	VC622000	TR 2SA2018	ST-1	
Q5015	VC618700	TR DTC114EE	ST-1	
Q5016	VC615900	TR UMY1N	ST-1	
Q5017	VC619800	TR FTS2005	ST-1	
Q5018	VC619700	TR CPH5701	SW	
Q5019	VC618700	TR DTC114EE	ST-1	
Q5401	VC618800	TR DTC123JE	ST-1	
Q5402	VC618700	TR DTC114EE	ST-1	
Q5405	VC619200	TR CPH3205	ST-1	
Q5406	VC619300	TR CPH3109	ST-1	
Q5407	VC618600	TR 2SC4617 R	ST-1	
Q5409	VC622100	TR CY25AAJ-8	ST-1	
Q5453	VC619100	TR UMC5N	ST-1	
Q5454	VC621600	TR DTC143ZE	ST-1	
Q9001	VC607900	TR 2SD1819A-R	CA-1	
Q9001	VC603200	TR 2SC4081-R	CA-1	
Q9002	VC620700	TR 2SC3931-D	CA-1	
Q9003	VC607900	TR 2SD1819A-R	CA-1	

PARTS LIST

C-3040ZOOM

REF NO	PARTS NO	DESCRIPTION	REMARKS	NOTE
Q9003	VC603200	TR 2SC4081-R	CA-1	
Q9503	VC607900	TR 2SD1819A-R	CA-2	
Q9503	VC603200	TR 2SC4081-R	CA-2	
Q9504	VC621900	TR CPH3105	CA-2	
Q9505	VC619300	TR CPH3109	CA-2	
Q9506	VC622200	TR DTC115EUA	CA-2	
Q9509	VC621000	TR UMH10N	CA-2	
Q9510	VC621000	TR UMH10N	CA-2	
Q9512	VC618200	TR DTC144EUA	CA-2	
Q9512	VC609300	TR UN5213	CA-2	
Q9512	VC604100	TR 2SC4396	CA-2	
Q9513	VC614700	TR 2SC4399-4	CA-2	
Q9513	VC602900	TR 2SC4399-5	CA-2	
Q9514	VC622200	TR DTC115EUA	CA-2	
S3001	VC861500	SWITCH,PUSH	SY-1	
S3002	VC861500	SWITCH,PUSH	SY-1	
S3003	VC861500	SWITCH,PUSH	SY-1	
S3004	VC863300	SWITCH,PUSH 1P-1TX1	SY-1	
S3011	VC866100	SWITCH,PUSH 1P-2TX1 SHUTTER	PWB	
T5001	VC866300	TRANS,POWER,PULSE	ST-1	
T5002	VC866400	TRANS,POWER,PULSE	ST-1	
T5003	VC862400	TRANS,POWER,PULSE	ST-1	
T5401	VC861800	TRANS,STEP UP	ST-1	
T5402	VC861700	TRANS,STEP UP	ST-1	
X1101	VC857600	OSC,CRYSTAL 14.31818MHZ	[C-3040ZOOM(U),(G)NTSC]	CA-2
X1101	VC864500	OSC,CRYSTAL 14.31818MHZ	[C-3040ZOOM(U),(G)NTSC]	CA-2
X1101	VC858200	OSC,CRYSTAL 17.734476MHZ	[C-3040ZOOM(E),(G)PAL]	CA-2
X1701	VC861600	OSC,CRYSTAL 3.579545MHZ	[C-3040ZOOM(U),(G)NTSC]	CA-2
X1701	VC862500	OSC,CRYSTAL 4.433619MHZ	[C-3040ZOOM(E),(G)PAL]	CA-2
X3001	VC864200	OSC,CERAMIC 4.00MHZ		SY-1
X3002	VC862000	OSC,CRYSTAL 32.768KHZ		SY-1
Y1103	VC126500	SPACER CA2-B,SIDE-B	SPACER SHILD CA2-SIDE-B	CA-2
	VC130500	SHILED TAPE		CA-1
	VC126200	SPACER SHEET ST-1	C5412	ST-1
	VE3047	SERIAL NUMBER SEAL FOR OE (Made in Japan)		
	VE3046	SERIAL NUMBER SEAL FOR OAI (Made in Japan)		